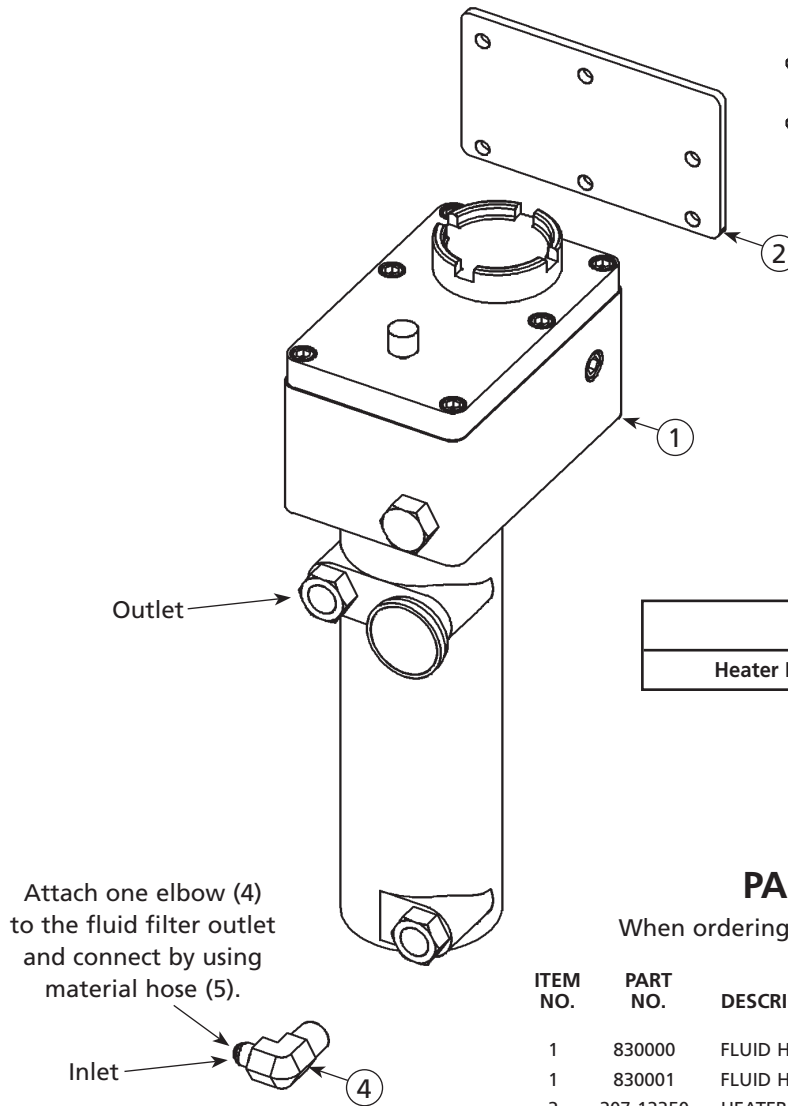




Binks HEATER KIT

MODEL 207-12351 (110V)

MODEL 207-12352 (220V)



NOTE
Heater Part Sheet: 83000X

Attach one elbow (4) to the fluid filter outlet and connect by using material hose (5).

PARTS LIST

When ordering, please specify Part No.

ITEM NO.	PART NO.	DESCRIPTION	QTY. 207-12351	QTY. 207-12352
1	830000	FLUID HEATER, 120 VAC	1	-
1	830001	FLUID HEATER, 220 VAC	-	1
2	207-12350	HEATER MOUNTING BRACKET	1	1
3	237-177	HEX HEAD CAP SCREW	2	2
4	237-276	MALE ELBOW (1 SHOWN)	2	2
5	207-10773-4	MATERIAL HOSE (NOT SHOWN)	1	1

WARRANTY

This product is covered by Binks' 1 Year Limited Warranty.

Binks Sales and Service: www.binks.com



U.S.A./Canada Customer Service
195 Internationale Blvd.
Glendale Heights, IL 60139
630-237-5000

Toll Free Customer Service
and Technical Support
800-992-4657

Toll Free Fax
888-246-5732

77-2812R-1 Revisions: Trademark updates, added Prop 65 warning, updated contact information.

Replaces
Part Sheet
77-2812R

Part
Sheet
77-2812R-1