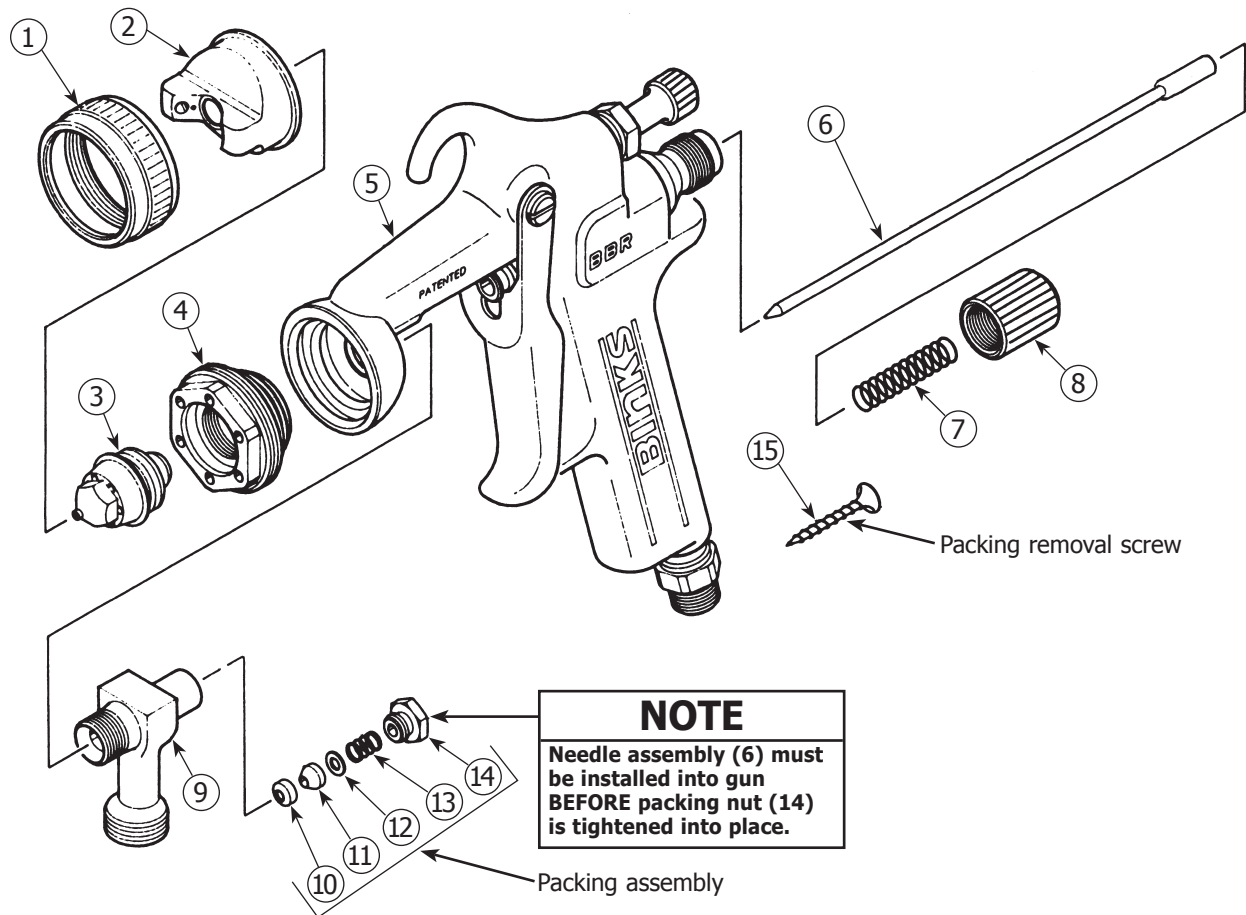




SELF ADJUSTING PACKING KITS (54-4261 & 54-4262)



REPLACEMENT INSTRUCTIONS

Kits 54-4261 and 54-4262 are for the MACH 1 and MACH 1A

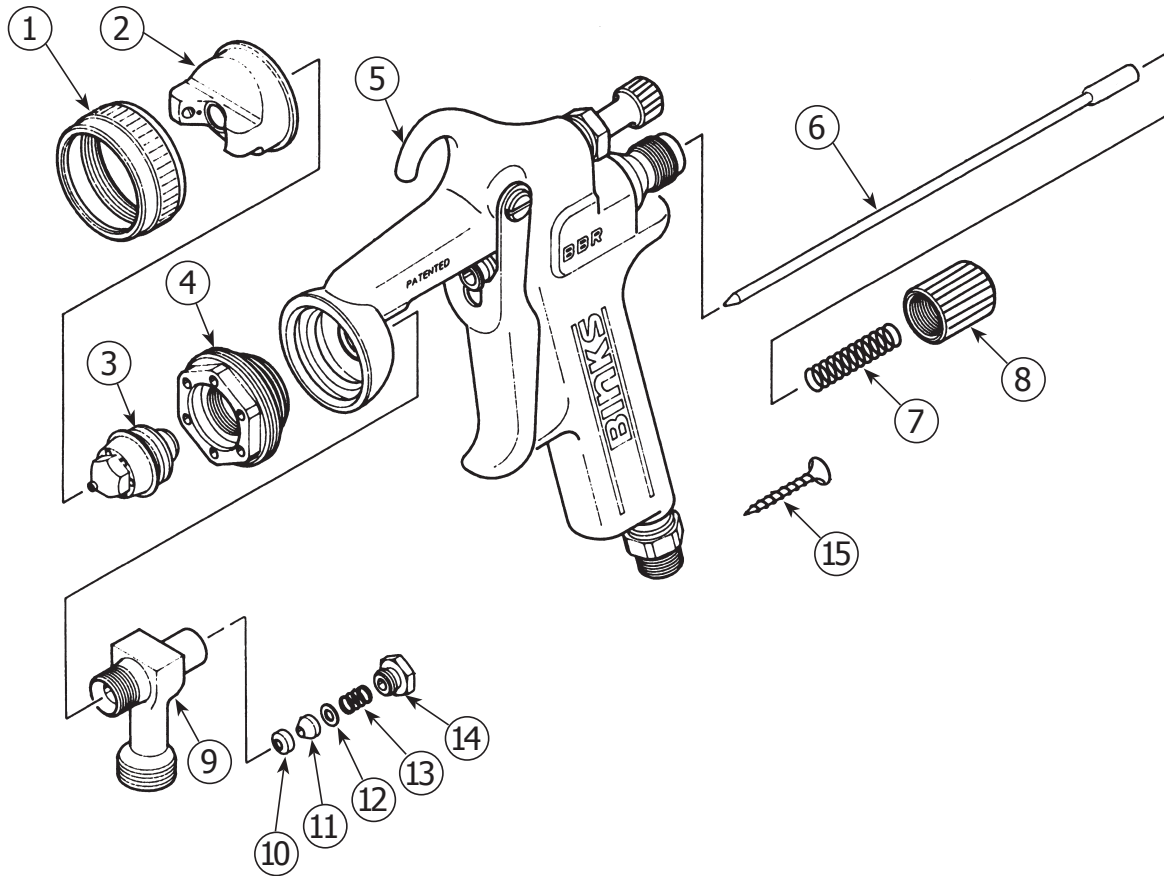
Kit 54-4262 includes Fluid Needle
Kit 54-4261 supplied without Fluid Needle

NOTE: Numbers below in parenthesis () refer to Item Nos. in illustration and Parts List.

TO REPLACE PACKING

1. Remove material valve control knob (8), spring (7) and pull out fluid needle (6).
2. Unscrew retaining ring (1) and remove air nozzle (2) and fluid nozzle (3).
3. Remove existing packings.
4. Insert gland adapter (10), needle seal (11), seal backup (12) and spring (13).
5. Screw on packing nut (14) a couple of turns so it fits loosely by hand.
6. Re-install fluid nozzle (3), air nozzle (2), retaining ring (1), needle assembly (6), spring (7) and material valve control knob (8). Finally, tighten packing nut (14) until it bottoms out on fluid inlet (9).

SELF ADJUSTING PACKING KITS (54-4261 & 54-4262) REPLACEMENT INSTRUCTIONS (CONTINUED)



PARTS LIST

When ordering, please specify Part No.

ITEM NO.	PART NO.	DESCRIPTION	QTY.	ITEM NO.	PART NO.	DESCRIPTION	QTY.
1	54-3531	RETAINING RING	N/A	10	54-4264●▲	GLAND ADAPTER.....	1
2	—	AIR NOZZLE	N/A	11	54-4265●▲	NEEDLE SEAL.....	1
3	—	FLUID NOZZLE.....	N/A	12	54-4266●▲	SEAL BACKUP	1
4	54-3543	HEAD INSERT	N/A	13	54-4267●▲	SPRING	1
5	—	GUN BODY	N/A	14	54-4263●▲	PACKING NUT	1
6	54-3941●	FLUID NEEDLE.....	1	15	—●▲	PACKING REMOVAL SCREW	N/A
7	54-3518	SPRING	N/A				
8	54-3606	MATERIAL VALVE CONTROL KNOB..	N/A				
9	54-3533	FLUID INLET (STAINLESS STEEL).....	N/A				

▲ Available as part of 54-4261 Self-Adjusting Packing Kit.

● Available as part of 54-4262 Self-Adjusting Packing Kit.

NOTES

WARRANTY POLICY

This product is covered by Carlisle Fluid Technologies' materials and workmanship limited warranty. The use of any parts or accessories, from a source other than Carlisle Fluid Technologies, will void all warranties. Failure to reasonably follow any maintenance guidance provided may invalidate any warranty.

For specific warranty information please contact Carlisle Fluid Technologies.

For technical assistance or to locate an authorized distributor, contact one of our international sales and customer support locations.

Region	Industrial / Automotive	Automotive Refinishing
Americas	Tel: 1-800-992-4657 Fax: 1-888-246-5732	Tel: 1-800-445-3988 Fax: 1-800-445-6643
Europe, Africa, Middle East, India	Tel: +44 (0)1202 571 111 Fax: +44 (0)1202 573 488	
China	Tel: +8621-3373 0108 Fax: +8621-3373 0308	
Japan	Tel: +81 45 785 6421 Fax: +81 45 785 6517	
Australia	Tel: +61 (0) 2 8525 7555 Fax: +61 (0) 2 8525 7575	

For the latest information about our products, visit www.carlisleleft.com

Carlisle Fluid Technologies is a global leader in innovative finishing technologies. Carlisle Fluid Technologies reserves the right to modify equipment specifications without prior notice.

BGK™, Binks®, DeVilbiss®, Hosco®, MS®, and Ransburg® are all registered trademarks of Carlisle Fluid Technologies, Inc.

©2021 Carlisle Fluid Technologies, Inc.
All rights reserved.

